

FOR REFERENCE
 SEPTEMBER-01-2010
 STX Offshore & Shipbuilding Co.,Ltd.

TOTAL (03) SHEETS WITH A COVER

THIS DRAWING OR DOCUMENT IS THE PROPERTY OF STX OFFSHORE SHIPBUILDING AND MUST NOT BE PARTIALLY OR WHOLLY COPIED OR USED FOR ANY OTHER PURPOSE WITHOUT PRIOR WRITTEN PERMISSION OF STX OFFSHORE & SHIPBUILDING.

stx	HULL NO.	F 1004			
	TYPE	GT2 NOBLE DRILLSHIP			
MANAGER :		TITLE ARRANGEMENT OF AIR HANDLING UNIT ROOM			
S.H. YOON					
CHECKED :					
C.J. YANG					
S.K. SEO					
DRAWN :					
M.C. KOO					
TEL. NO					
+82-2-310-2143					
DEPT	HULL OUTFITTING DESIGN TEAM	SCALE	DATE	DWG. NO.	REV. NO.
		1:100	2010.09.01	R47B3001	△ A

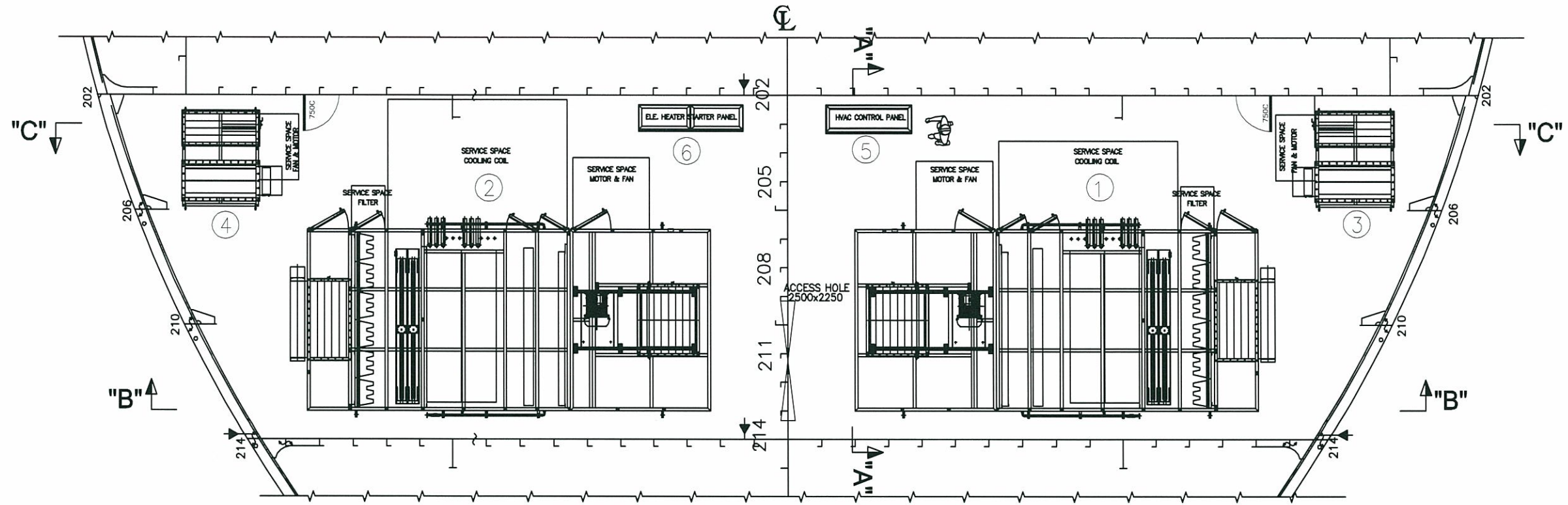
STX Offshore & Shipbuilding

PLAN HISTORY

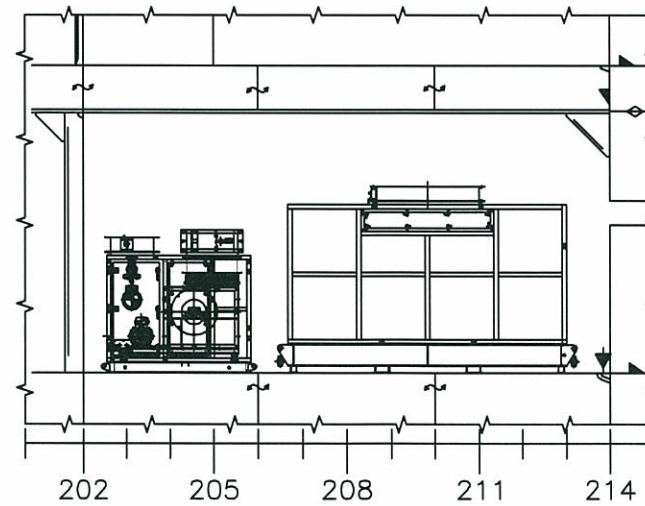
DATE	REV.	CONS.	DESCRIPTION	DWN.	CHKD	MGR.
2010.09.01	△ A		PREPARED BY OFFSHORE HULL OUTFITTING DESIGN TEAM. THIS DRAWING IS SAME AS THOSE OF M4001.		X	
			SUBMITTED TO OWNER FOR REFERENCE.			
			ISSUED TO YARD FOR WORKING.			

THIS DRAWING OR DOCUMENT IS THE PROPERTY OF STX OFFSHORE SHIPBUILDING AND MUST NOT BE PARTIALLY OR WHOLLY COPIED OR USED FOR ANY OTHER PURPOSE WITHOUT PRIOR WRITTEN PERMISSION OF STX OFFSHORE & SHIPBUILDING.

STX Offshore & Shipbuilding



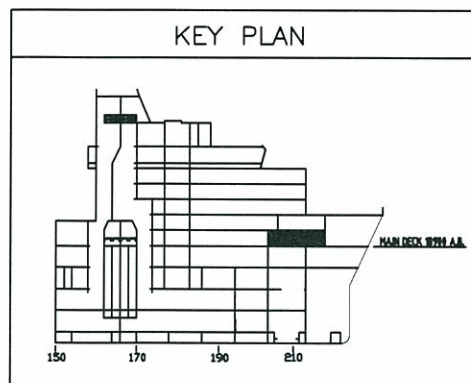
UPPER TWEEN DECK PLAN
(14700 A/B)



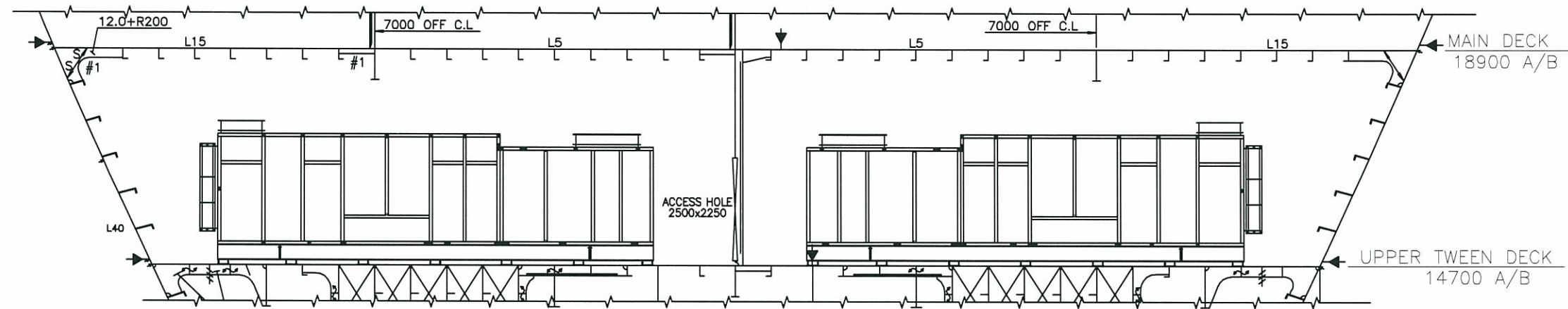
ELEVATION VIEW "A-A"

MAIN DECK
18900 A/B

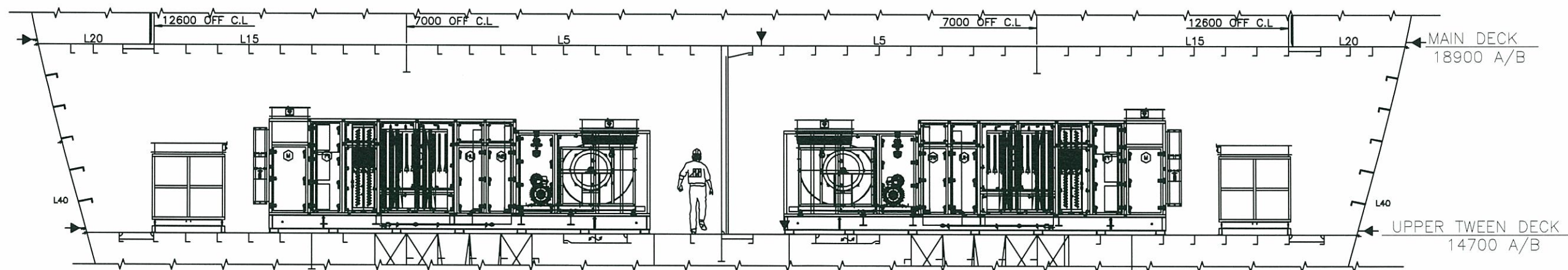
UPPER TWEEN DECK
14700 A/B



NO.	Tag. No.	DESCRIPTION	SIZE (LxWxH) MM	Q'TY	REMARK
6	901-HCP-002	ELECTRIC HEATER STARTER PANEL	2200x550x2200	1	
5	901-HCP-001	HVAC CONTROL PANEL	1800x500x1900	1	
4	901-HVF-051	NO.2 RETURN FAN OF AHU (STAND-BY)	2400x2000x2000	1	
3	901-HVF-050	NO.1 RETURN FAN OF AHU (DUTY)	2400x2000x2000	1	
2	901-HAQ-001B	NO.2 AIR HANDLING UNIT STAND-BY	8540x3800x2450	1	
1	901-HAQ-001A	NO.1 AIR HANDLING UNIT (DUTY)	8540x3800x2450	1	



SECTION VIEW "B-B"
(FR. 213)



SECTION VIEW "C-C"
(FR. 203)