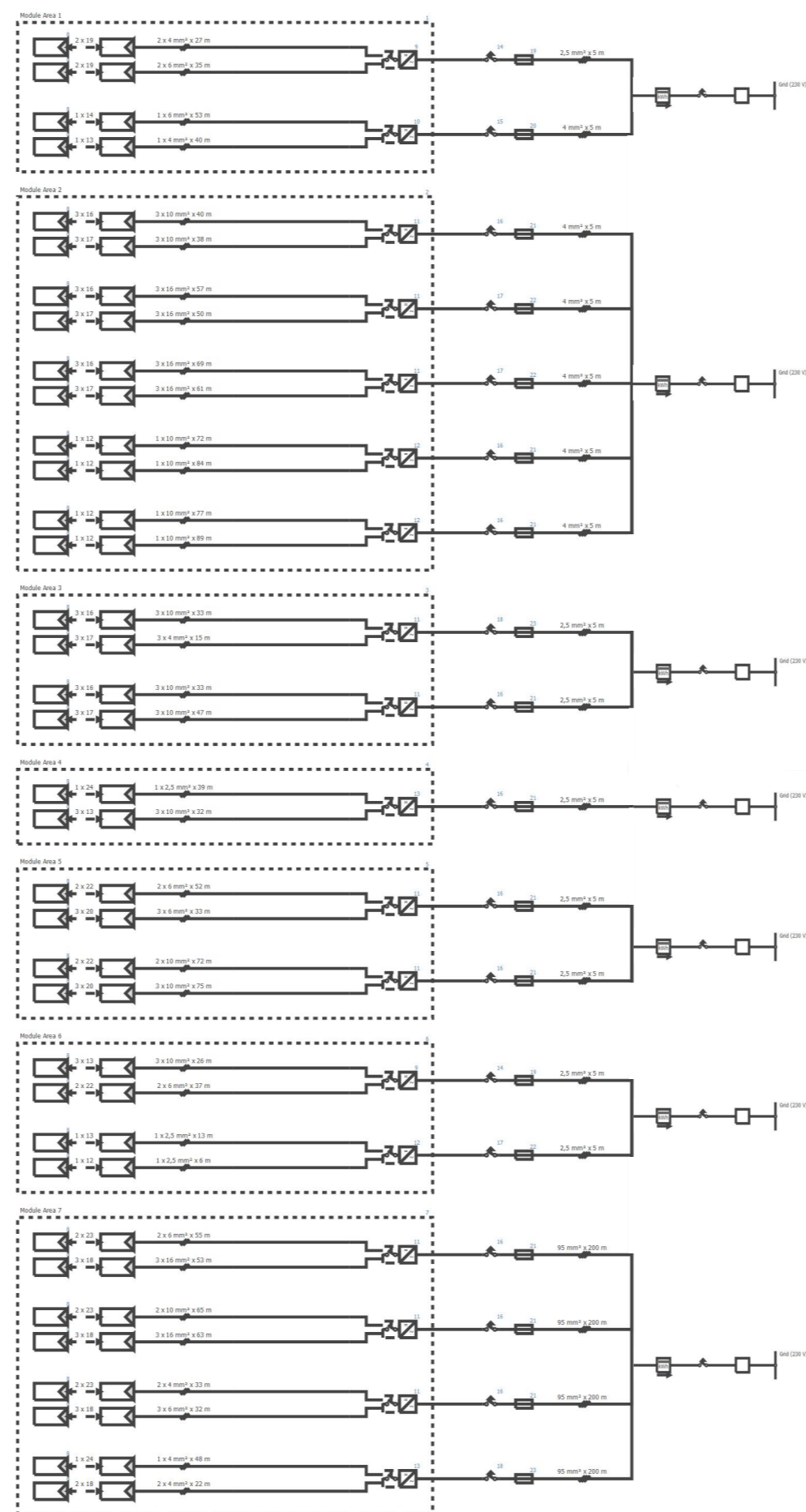


ANEXO E



- Module Area**
- 165,9 m<sup>2</sup>, <35°, ∇180°, 26,78 kWp, 103 PV Modules
  - 555,8 m<sup>2</sup>, <35°, ∇180°, 89,7 kWp, 345 PV Modules
  - 319,0 m<sup>2</sup>, <35°, ∇180°, 51,48 kWp, 198 PV Modules
  - 101,5 m<sup>2</sup>, <35°, ∇180°, 16,38 kWp, 63 PV Modules
  - 335,1 m<sup>2</sup>, <35°, ∇180°, 54,08 kWp, 208 PV Modules
  - 174,0 m<sup>2</sup>, <35°, ∇180°, 28,08 kWp, 108 PV Modules
  - 580,0 m<sup>2</sup>, <35°, ∇180°, 93,6 kWp, 360 PV Modules

- PV Module**
- PM060P00 260 Wp, BenQ Solar - AU Optronics Corporation, 260 W

**DC Isolator**

- Inverter**
- Sunny Tripower 20000TL-30, SMA Solar Technology AG, 20 kW, Max. AC Power:20 kW

- Circuit Breaker**
- B40A
  - B16A
  - B50A
  - B13A
  - B32A

- Residual-current device**
- 40A/100mA
  - 16A/100mA

- Sunny Tripower 7000TL-20, SMA Solar Technology AG, 7 kW, Max. AC Power:7 kW
- Sunny Tripower 25000TL-30, SMA Solar Technology AG, 25 kW, Max. AC Power:25 kW
- Sunny Tripower 6000TL-20, SMA Solar Technology AG, 6 kW, Max. AC Power:6 kW
- Sunny Tripower 15000TL-10, SMA Solar Technology AG, 15 kW, Max. AC Power:15 kW

- 50A/100mA
  - 13A/100mA
  - 32A/100mA
- Feed Meter**
- Transfer point**

(Type of System) Grid Connected PV System	(System Address)		(Customer Address)	
(Supply/feed Phases)				
(System Output) 360,1 kWp				
(Company)	(Created by) Francisco Gonçalves	(Approved by)	(Part Number)	
	(Title) 1. CT ALCOCHETE TF1 ANEXO E		(Document Type) Circuit Diagram	
	(Date of Issue)		(Sheet) 1	