

FOR REFERENCE
 SEPTEMBER-01-2010
 STX Offshore & Shipbuilding Co.,Ltd.

TOTAL (03) SHEETS WITH A COVER

THIS DRAWING OR DOCUMENT IS THE PROPERTY OF STX OFFSHORE SHIPBUILDING AND MUST NOT BE PARTIALLY OR WHOLLY COPIED OR USED FOR ANY OTHER PURPOSE WITHOUT PRIOR WRITTEN PERMISSION OF STX OFFSHORE & SHIPBUILDING.

stx	HULL NO.	F 1004			
	TYPE	GT2 NOBLE DRILLSHIP			
MANAGER :		TITLE ARRANGEMENT OF CONDENSING UNIT ROOM			
S.H. YOON					
CHECKED :					
C.J. YANG					
S.K. SEO					
DRAWN :					
M.C. KOO					
TEL. NO					
+82-2-310-2143					
DEP'T	HULL OUTFITTING DESIGN TEAM	SCALE	DATE	DWG. NO.	REV. NO.
		1 : 50	2010.09.01	R47B3003	△ A

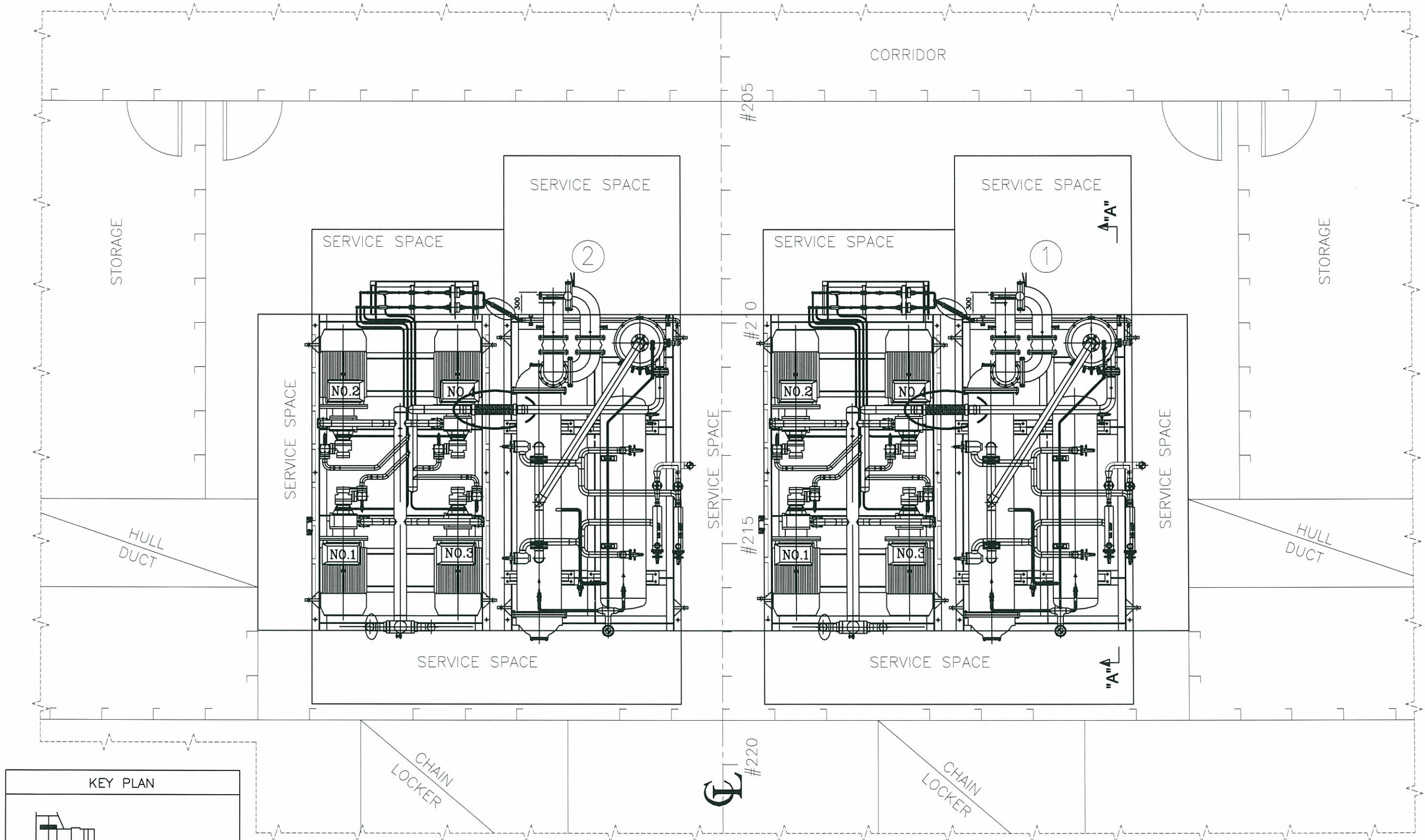
STX Offshore & Shipbuilding

PLAN HISTORY

DATE	REV.	CONS.	DESCRIPTION	DWN.	CHKD	MGR.
2010.09.01	△ A		PREPARED BY OFFSHORE HULL OUTFITTING DESIGN TEAM. THIS DRAWING IS SAME AS THOSE OF M4001.		X	
			SUBMITTED TO OWNER FOR REFERENCE .			
			ISSUED TO YARD FOR WORKING.			

THIS DRAWING OR DOCUMENT IS THE PROPERTY OF STX OFFSHORE SHIPBUILDING AND MUST NOT BE PARTIALLY OR WHOLLY COPIED OR USED FOR ANY OTHER PURPOSE WITHOUT PRIOR WRITTEN PERMISSION OF STX OFFSHORE & SHIPBUILDING.

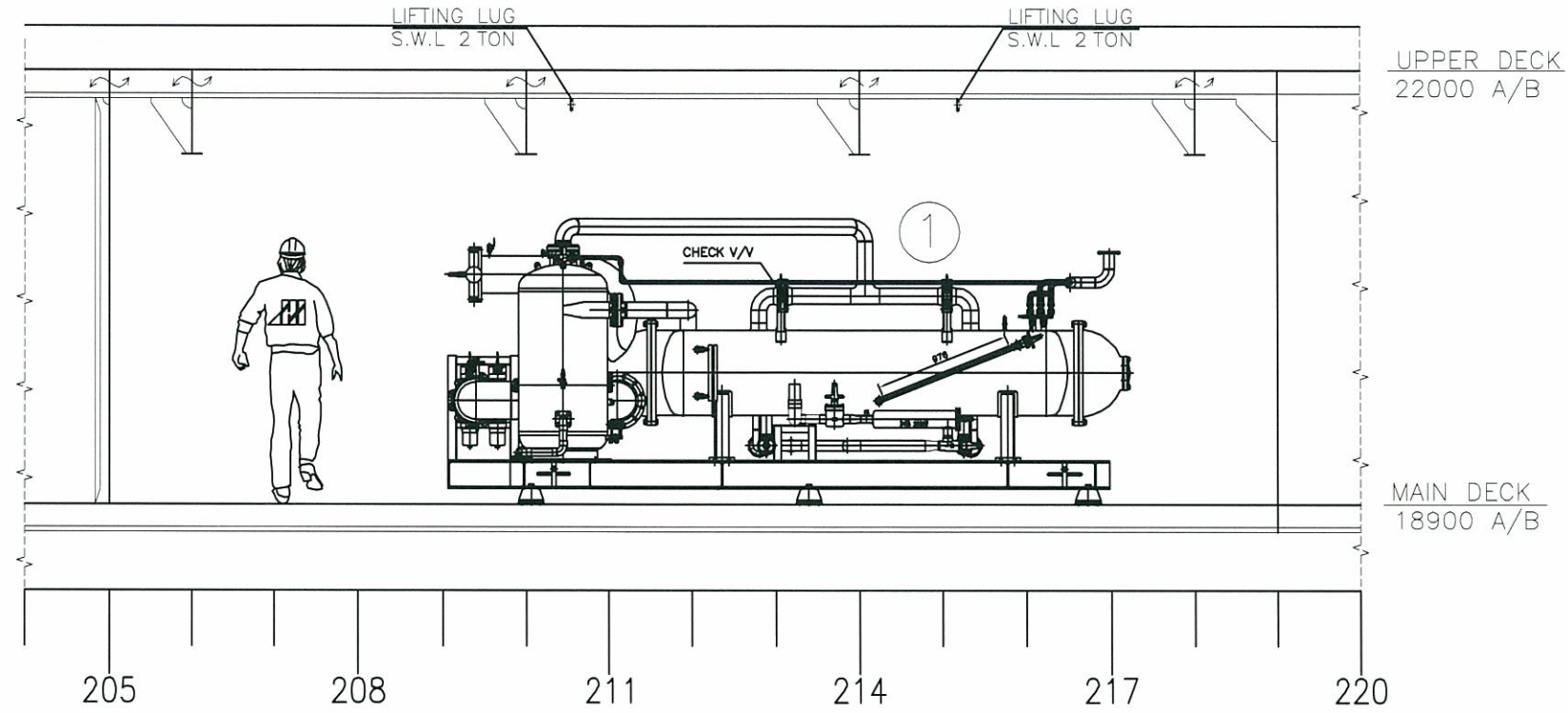
STX Offshore & Shipbuilding



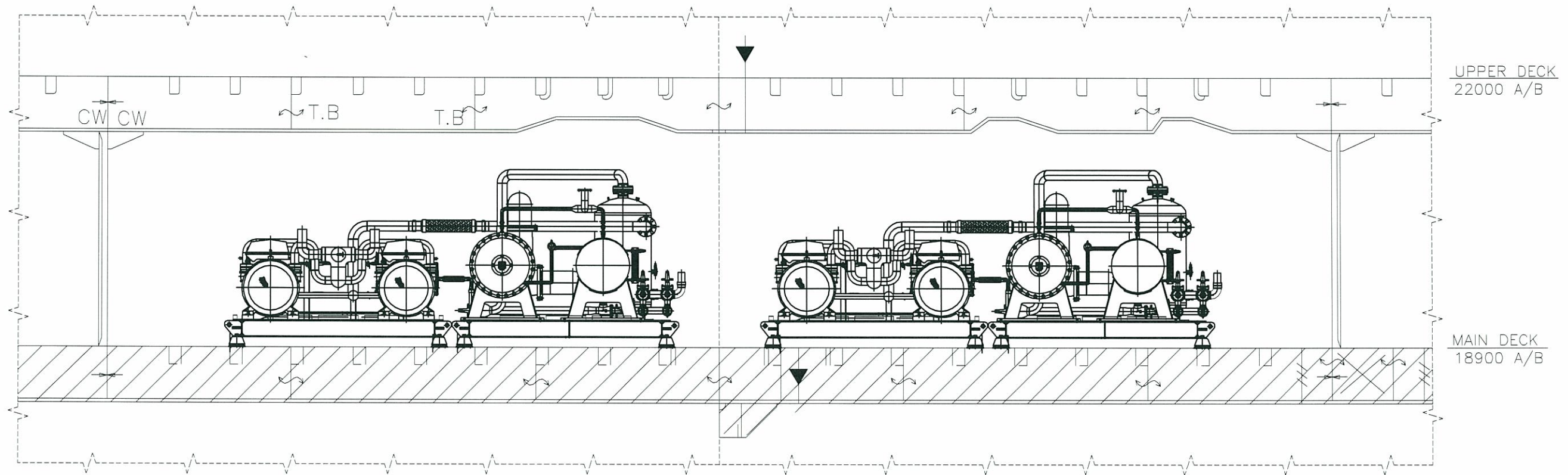
MAIN DECK PLAN

(18900 A/B)

NO.	Tag. No.	DESCRIPTION	SIZE(LxWxH)MM	Q'TY	REMARK
2	901-ACD-001B	NO.2 CONDENSING UNIT (STAND-BY)	4750x5000x1900	1	
1	901-ACD-001A	NO.1 CONDENSING UNIT (DUTY)	4750x5000x1900	1	



ELEVATION VIEW "A-A"



SECTION VIEW
(FR. 210)